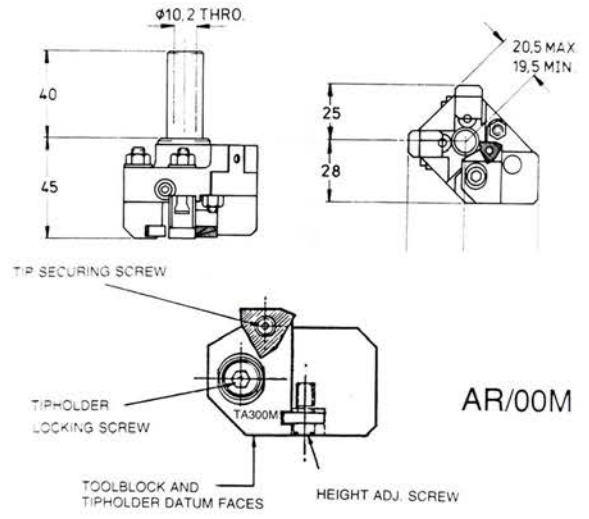


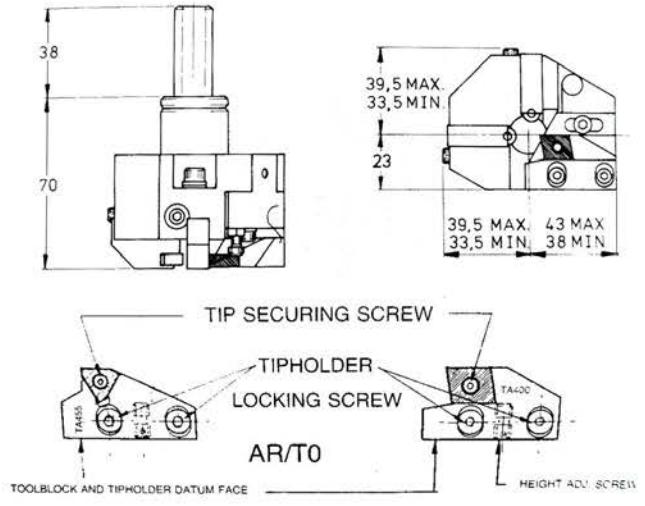
AR/00M Roller Box



AR/00M

Capacity	Shank Dia ϕ	Insert no.	Tip holder	Insert Screw	Pin	Roller	Carrier	Tool Block
1.5mm-10mm	16mm 20mm 25mm	TA525	TA300M	TA525S	28P	131R	154L 154R	TA312M
1/16"-3/8"	5/8" 3/4" 1"	(available in CB & POS)						

AR/T0 Roller Box



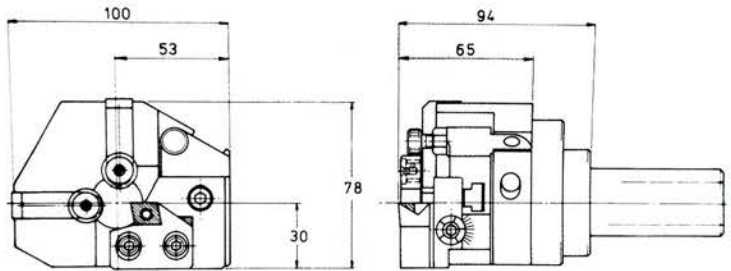
AR/T0

Capacity	Shank Dia ϕ	Insert no.	Tip holder	Insert Screw	Pin	Roller	Carrier	Tool Block
3mm-14.5mm	16mm 20mm 25mm	TA525	TA400M	TA525S	130P	130R	4001	TA4002
1/8" - 9/16"	5/8" 3/4" 1"	TA3504 (available in CB & POS)		TA500S 				

AR/T9 Roller Box



Micro adjusting Screw



Capacity	Shank Dia ϕ	Insert no.	Tip holder	Insert Screw	Pin	Roller	Carrier	Tool Block
5mm-25mm	16mm 20mm 22mm	TA525	TA555	TA500S	130P	130R	1106	TA1104
	25mm 32mm 40mm	TA5304	TA550			130AR		
	50mm	(available in CB & POS)						
	5/8" 3/4" 1" 1.1/4"							
	1.1/2" 1.3/4" 2"							



Chipstream Insert: Takes the minimum power requirement. Ideal for use where the turned length is such that the coils of swarf produced do not constitute a problem or health hazard to the operator.



Chipbreaker Insert: Requires slightly more power, but breaks the swarf up into short lengths over a wide range of speeds and feed for most materials.

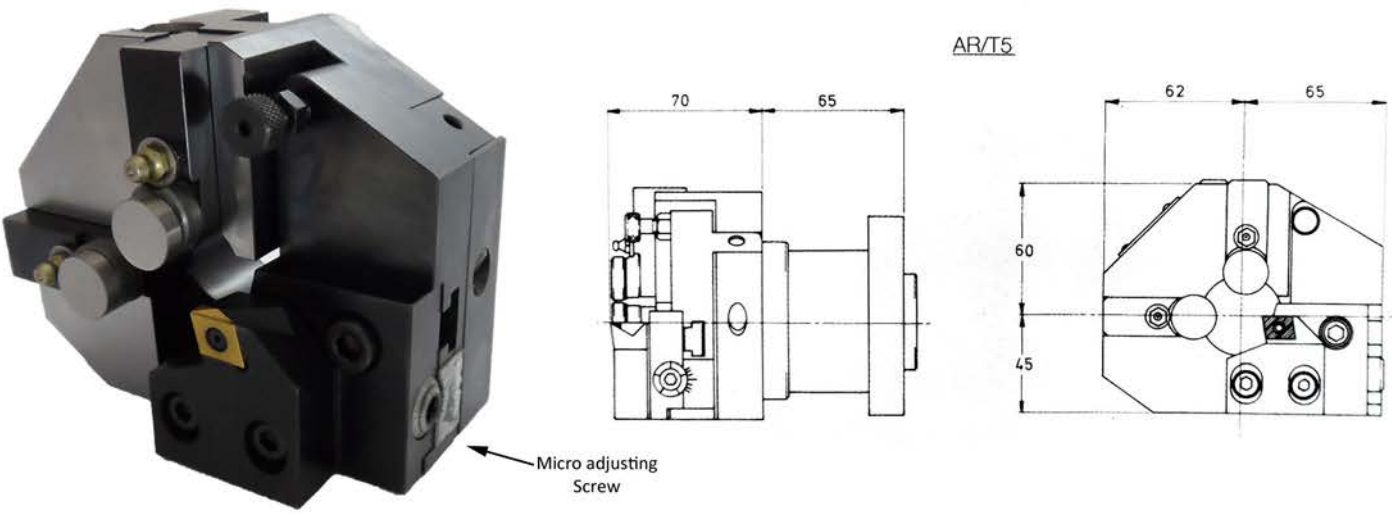


POS. Insert: The plain rake face with chip deflector is often more effective on very small depths of cut, especially on awkward materials such as wrought iron.

Alternative Radii: Available on inserts ex stock or to order. Price and delivery on application

The new TF+ Insert: Carbide specially formulated to machine exotic materials such as inconel.

AR/T5 Roller Box



AR/T5

70 65

62 65

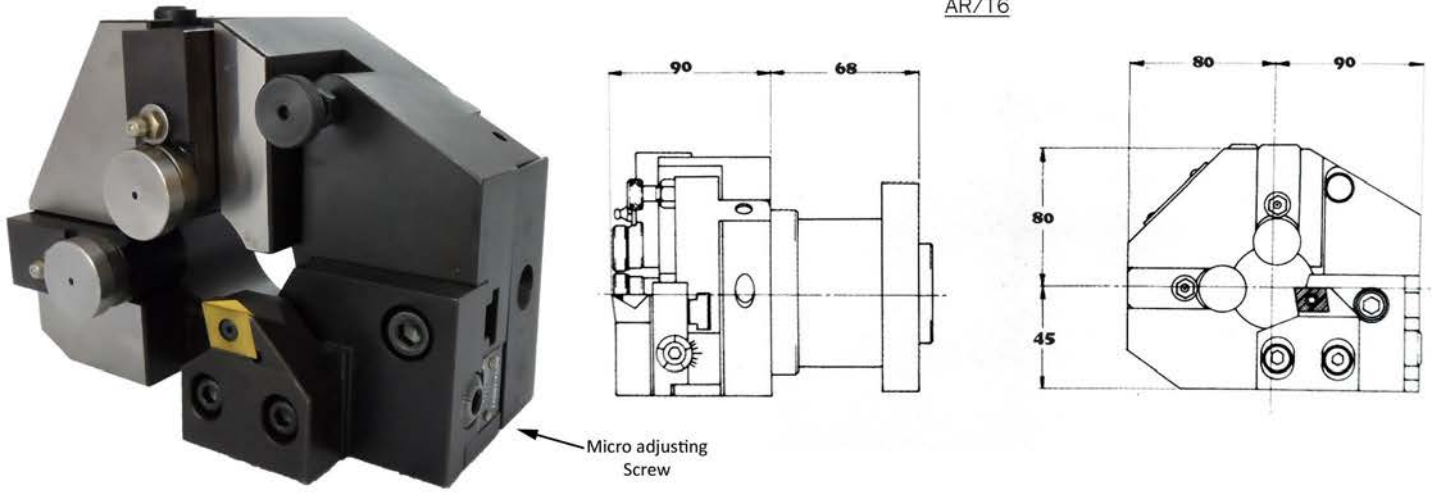
60

45

Micro adjusting Screw

Capacity	Shank Dia ϕ	Insert no.	Tip holder	Insert Screw	Roller Assembly	Carrier	Tool Block
6mm-35mm 15/64" - 1.1/4"	Available on request	TA3504 TA3510 (available in CB & POS)	TA556 TA557	TA500S	128 (pair)	5005	TA5003

AR/T6 Roller Box



AR/T6

90 68

80 90

80

45

Micro adjusting Screw

Capacity	Shank Dia ϕ	Insert no.	Tip holder	Insert Screw	Roller Assembly	Carrier	Tool Block
10mm-51mm 3/8" - 2"	Available on request	TA3504 TA3510 (available in CB & POS)	TA599 TA600	TA500S	129 (pair)	6007	TA6005